

SFIC



Cores are available in keyed alike, keyed different, master keyed, grand master keyed and great grand master keyed configurations.

Available in A2

Key systems built and maintained by BOA

Base Part #: **IC CORE 7X**

PLATING FINISH:

626/26D Brushed Satin Chrome
(custom finishes available)

AVAILABLE IN KEYWAY

BEST®: A, B, C, D, E, F, G, H, J, K, L, M, Q, R

KABA PEAKS: BOA restricted keyway

KEY ORDERING

KEYI OP

KEYI MASTER

KEYI CONTROL

CORE INSTALLATION

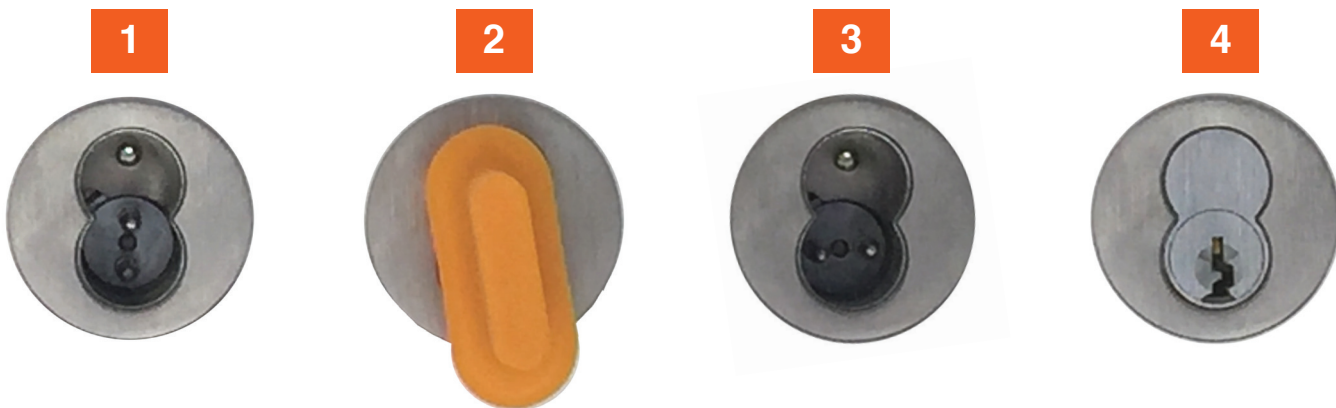
To correctly insert the Interchangeable Core into the lock housing,

1 Check if the prongs inside the housing are in the horizontal position.

If they are NOT, then **2** insert orange actuator to orient them to the

3 horizontal position. After they are aligned, **4** insert core into housing

turn the control key to the locked position.

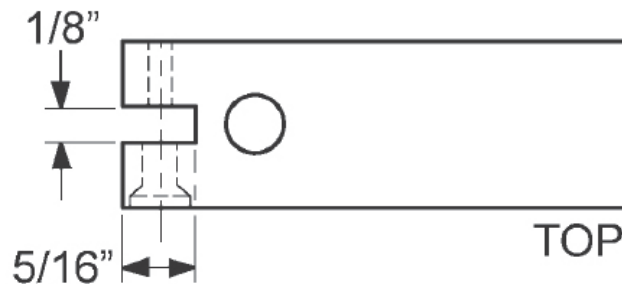
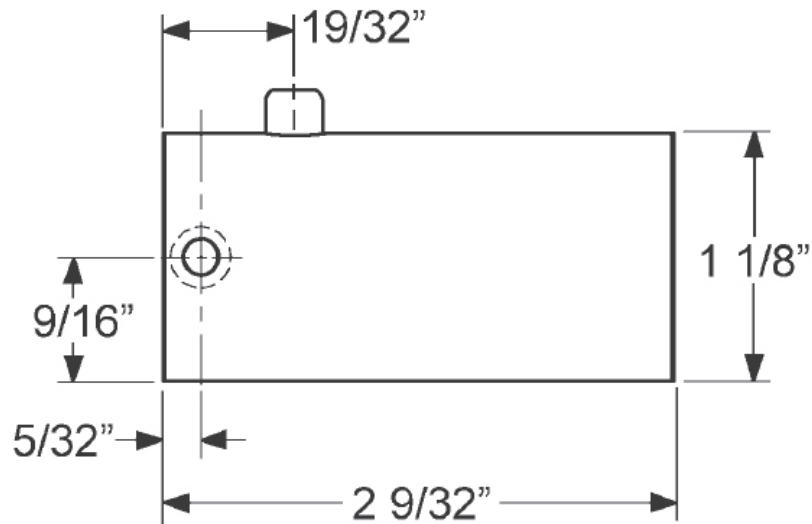
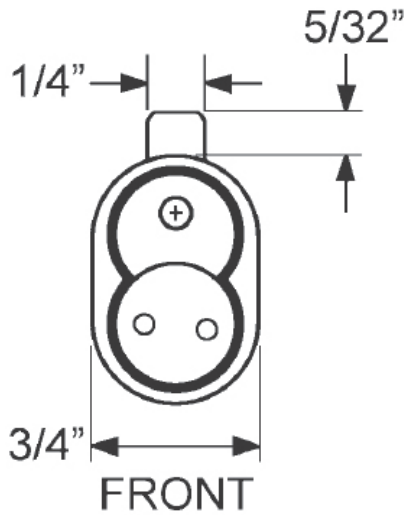


MEDICAL CART/FILE CABINET LOCK



BOA's SFIC Medical Cart / Medical Cabinet lock is a direct replacement for the BEST 2P73. As with all of our SFIC products, it accepts all major manufacturer's Small Format Interchangeable Cores (BEST style). This product is built to provide years of trouble-free service due to our stainless-steel spring-loaded locking pin and Prong Driver Assembly. The spring loaded bolt provides just the right amount of tension for a perfectly smooth action when rotating the key. Our lock comes standard with a Red-Dot indicator to let you know when the lock is in the unlocked position.

Base Part#: **55 SPR FCV X BC**



CYLINDERS

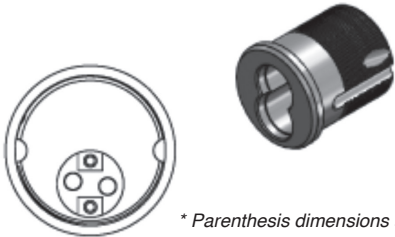
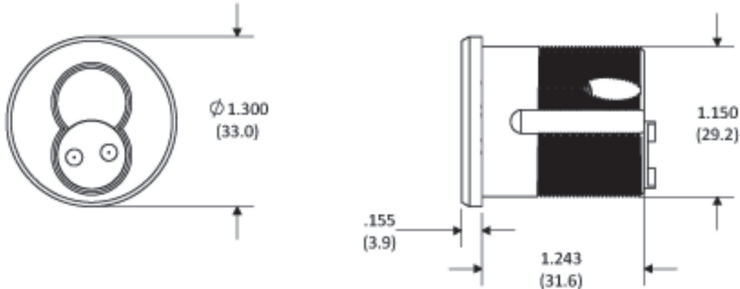


Mortise Cylinder
Base Part#: 55 CYL MORT 1250 **XX**



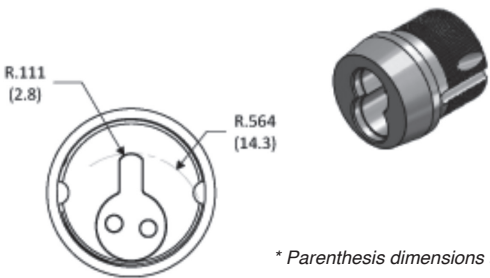
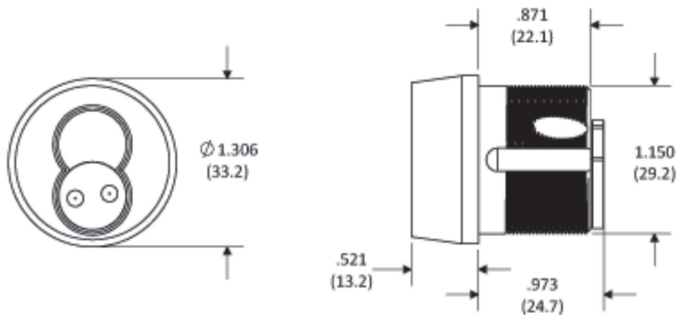
Tapered Mortise
Base Part#: 55 CYL MORT 875 **XX**

MORTISE CYLINDER WITH CHANGEABLE CAM



* Parenthesis dimensions are in mm.

TAPERED MORTISE WITH CHANGEABLE CAM



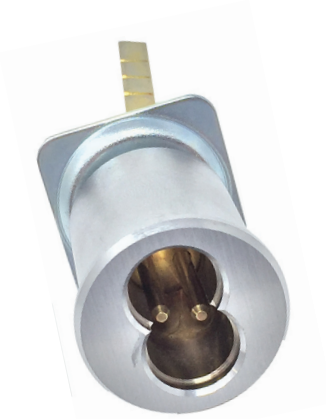
* Parenthesis dimensions are in mm.

CAMS



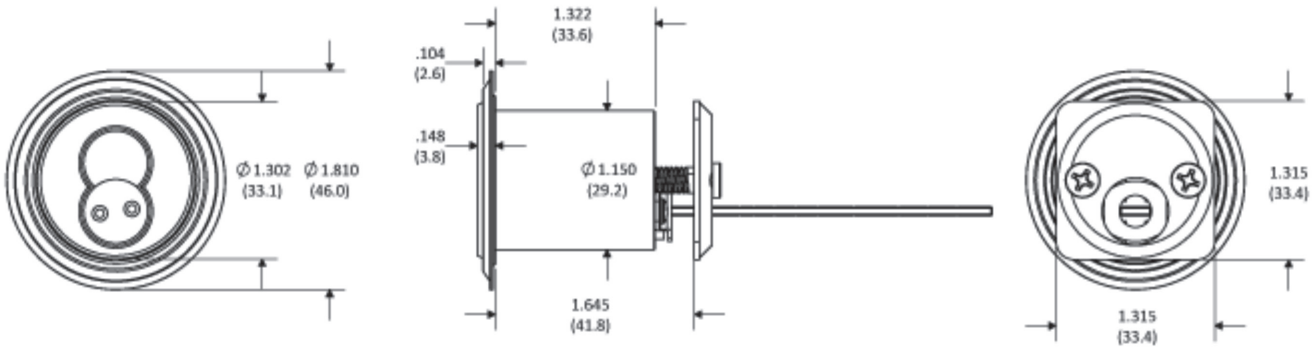
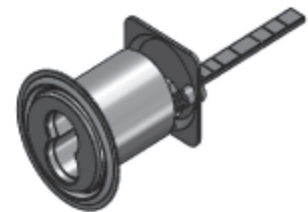
- XX = FINISH**
 BC = Brushed Chrome (Standard)
 PC = Polished Chrome
 SB = Satin Brass
 PB = Polished Brass
 ST = Statuary Bronze
 BL = Black
 AB = Antique Bronze

CYLINDERS



Rim Cylinder
Base Part#: 55 CYL RIM **XX**

* Parenthesis dimensions are in mm.



Part#: 55 CYL RIM **XX**

XX = FINISH

- BC = Brushed Chrome (Standard)
- PC = Polished Chrome
- SB = Satin Brass
- PB = Polished Brass
- ST = Statuary Bronze
- BL = Black
- AB = Antique Bronze