

# SFIC



Cores are available in keyed alike, keyed different, master keyed, grand master keyed and great grand master keyed configurations.

Available in A2

Key systems built and maintained by BOA

Base Part #: **IC CORE 7X**

## PLATING FINISH:

626/26D Brushed Satin Chrome  
(custom finishes available)

## AVAILABLE IN KEYWAY

BEST®: A, B, C, D, E, F, G, H, J, K, L, M, Q, R  
KABA PEAKS: BOA restricted keyway

## KEY ORDERING

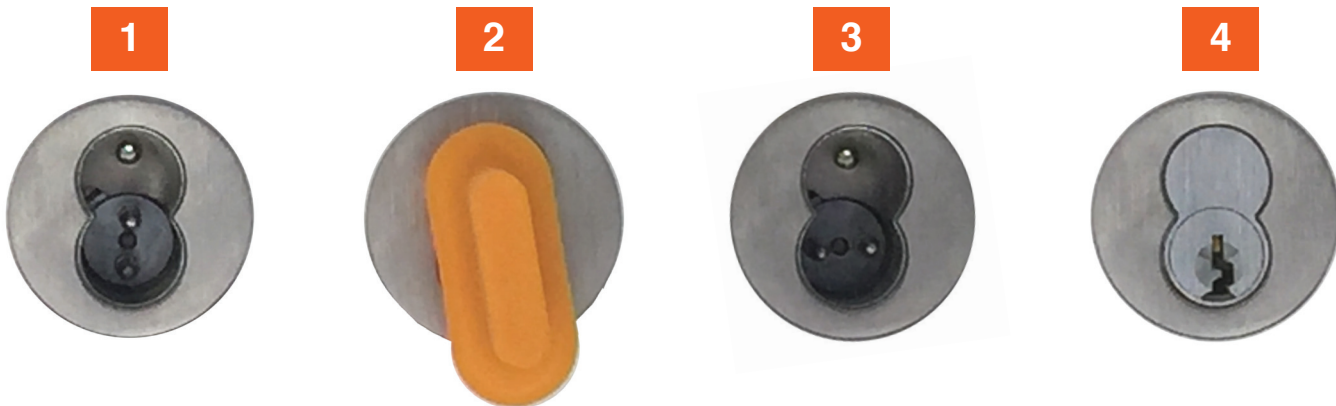
KEYI OP  
KEYI MASTER  
KEYI CONTROL

---

## CORE INSTALLATION

To correctly insert the Interchangeable Core into the lock housing,

**1** Check if the prongs inside the housing are in the horizontal position. If they are NOT, then **2** insert orange actuator to orient them to the **3** horizontal position. After they are aligned, **4** insert core into housing turn the control key to the locked position.



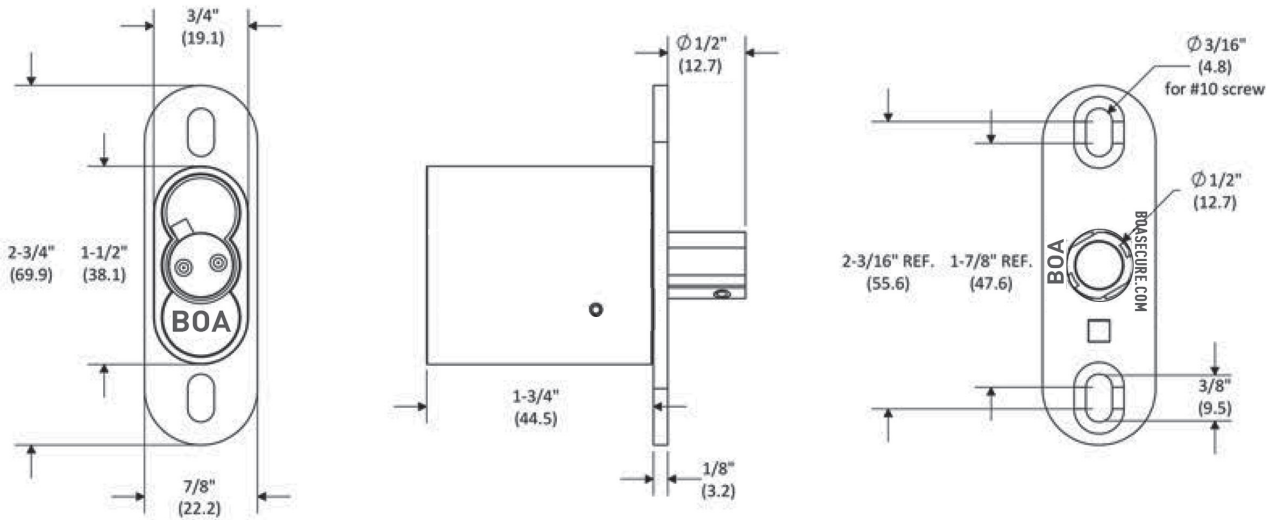
# SFIC PLUNGER LOCK- KEY RETAINING



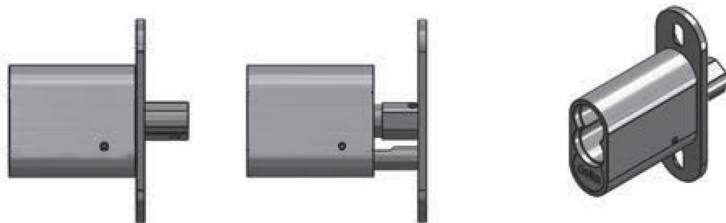
BOA's SFIC Plunger lock with key the retaining feature is built to give you years of trouble-free service due to the direct drive bolt and which enables a smooth operation.

Keys and Cores sold separately.

Base Part#: **55 PL SD X 1 BC**



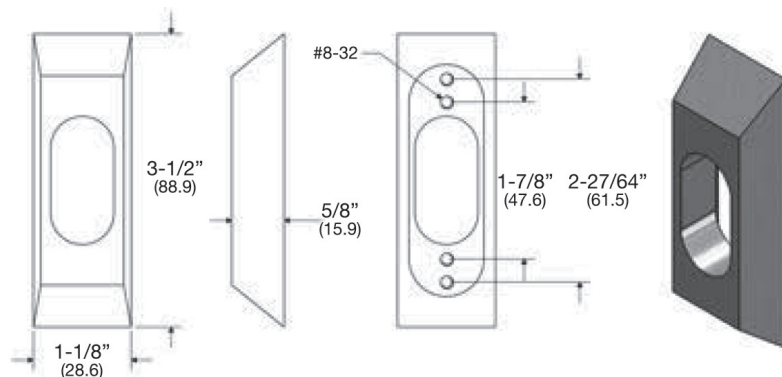
\* Parenthesis dimensions are in mm.



**55 PL SD X 1 BC**

## OPTIONAL SUPPORT PLATE

**55 PL SP BC**



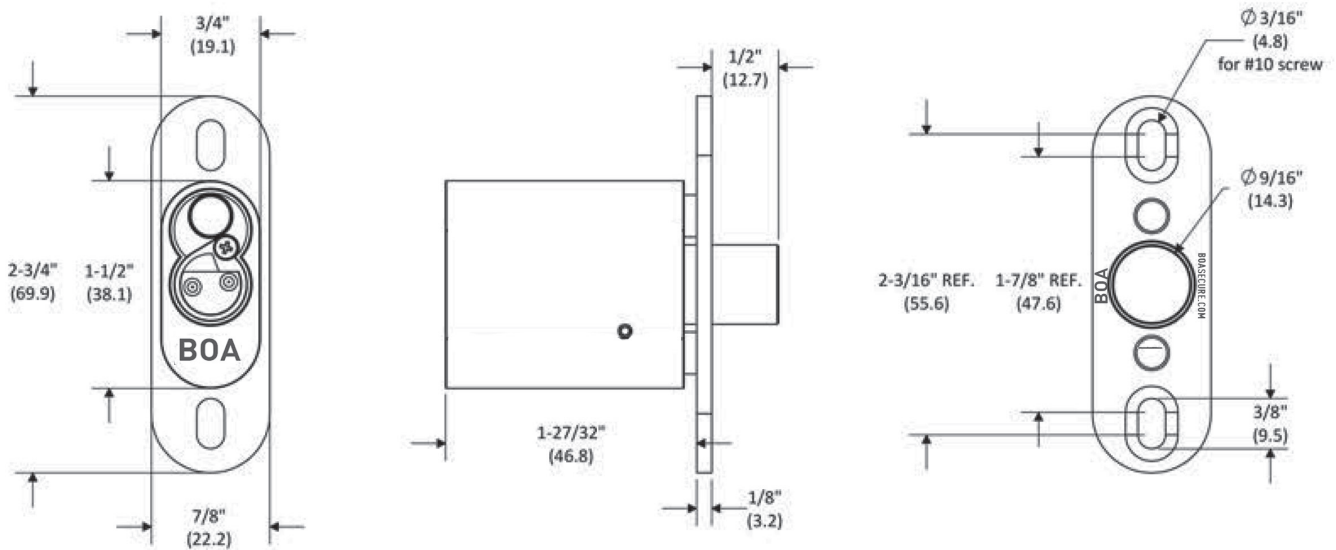
# SFIC PLUNGER LOCK- NON KEY RETAINING



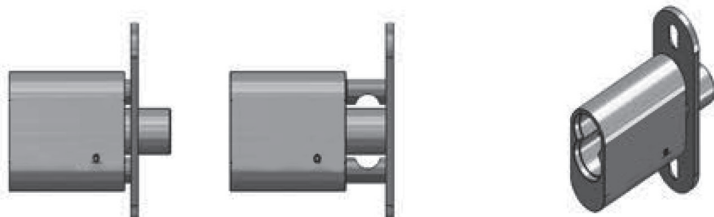
BOA's SFIC Plunger lock with our non-key retaining feature is built on the foundation of a pad-lock; utilizing the built to last ball-bearing foundation. It will provide years of trouble-free service. Furthermore, the Prong Pins are well secured in the up-right position to ensure smooth insertion of the cores when needed.

Keys and Cores sold separately.

Base Part#: **55 PL SD X 2 BC**



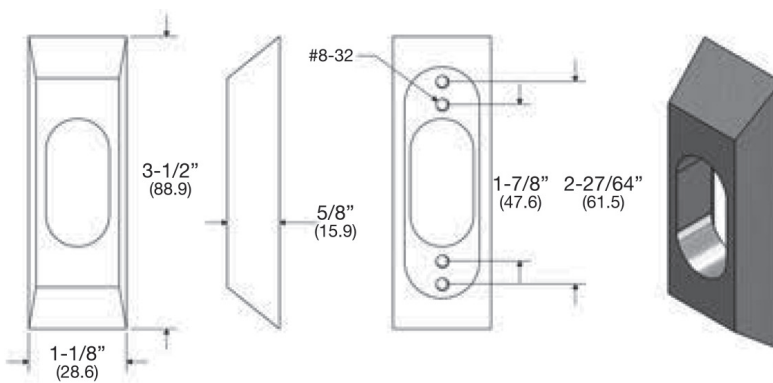
\* Parenthesis dimensions are in mm.



**55 PL SD X 2 BC**

## OPTIONAL SUPPORT PLATE

**55 PL SP BC**



# CYLINDERS

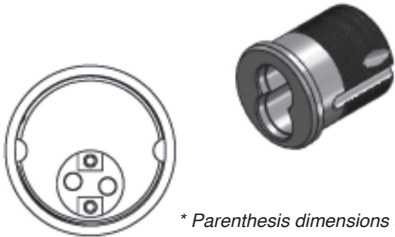
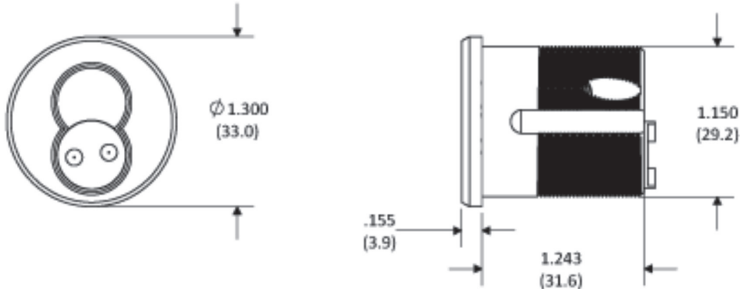


**Mortise Cylinder**  
Base Part#: 55 CYL MORT 1250 **XX**



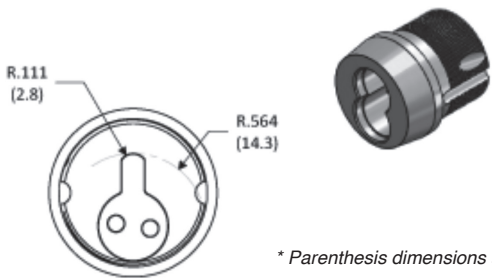
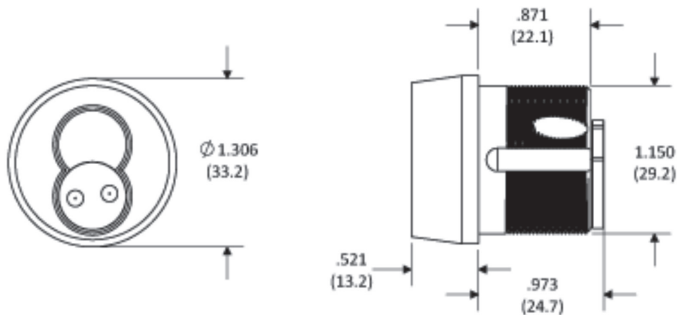
**Tapered Mortise**  
Base Part#: 55 CYL MORT 875 **XX**

## MORTISE CYLINDER WITH CHANGEABLE CAM



\* Parenthesis dimensions are in mm.

## TAPERED MORTISE WITH CHANGEABLE CAM



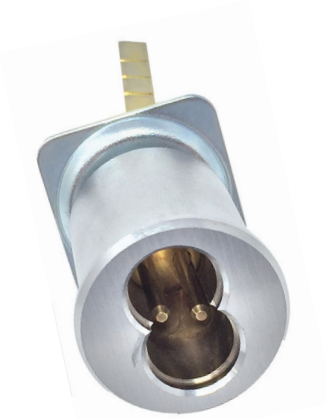
\* Parenthesis dimensions are in mm.

## CAMS



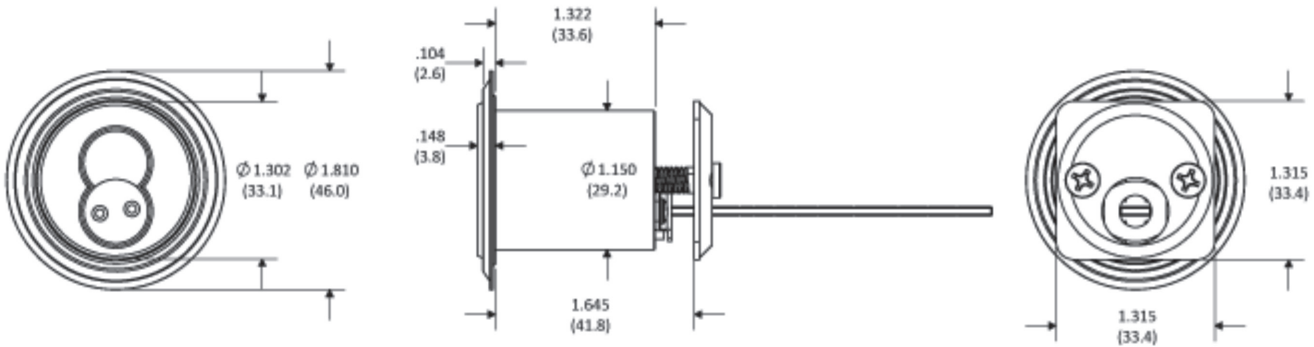
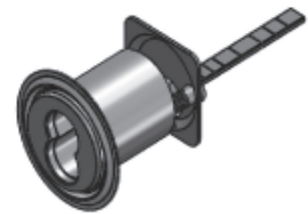
- XX = FINISH**  
 BC = Brushed Chrome (Standard)  
 PC = Polished Chrome  
 SB = Satin Brass  
 PB = Polished Brass  
 ST = Statuary Bronze  
 BL = Black  
 AB = Antique Bronze

# CYLINDERS



**Rim Cylinder**  
Base Part#: 55 CYL RIM **XX**

\* Parenthesis dimensions are in mm.



Part#: 55 CYL RIM **XX**

**XX = FINISH**

- BC = Brushed Chrome (Standard)
- PC = Polished Chrome
- SB = Satin Brass
- PB = Polished Brass
- ST = Statuary Bronze
- BL = Black
- AB = Antique Bronze